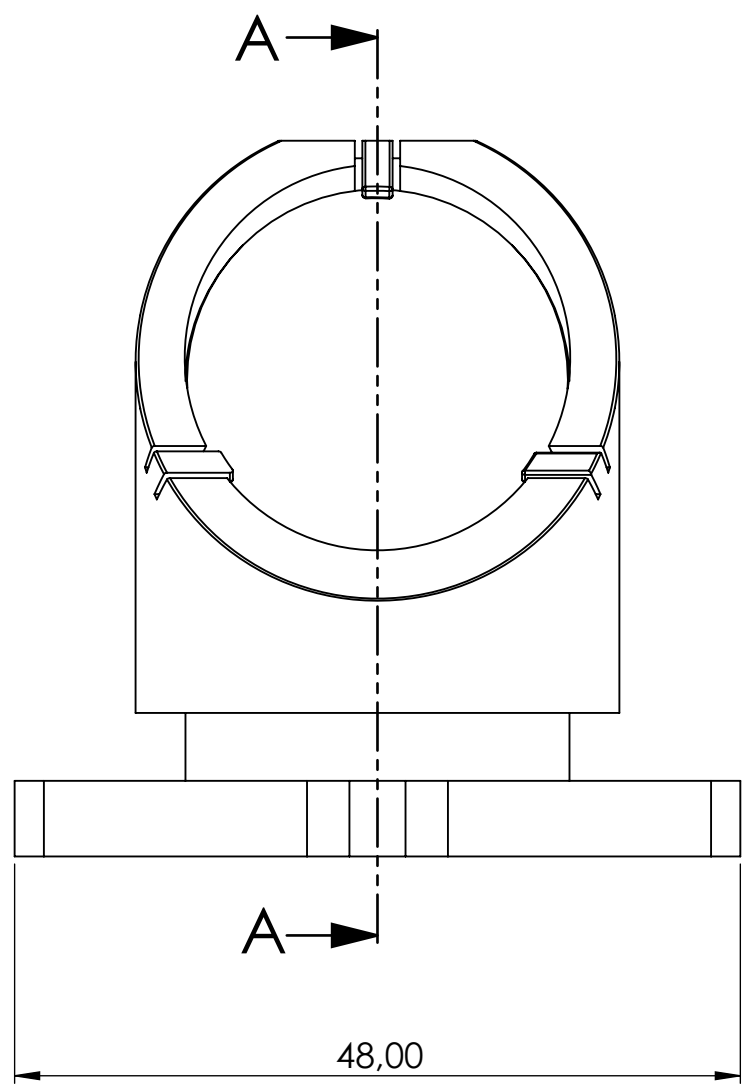
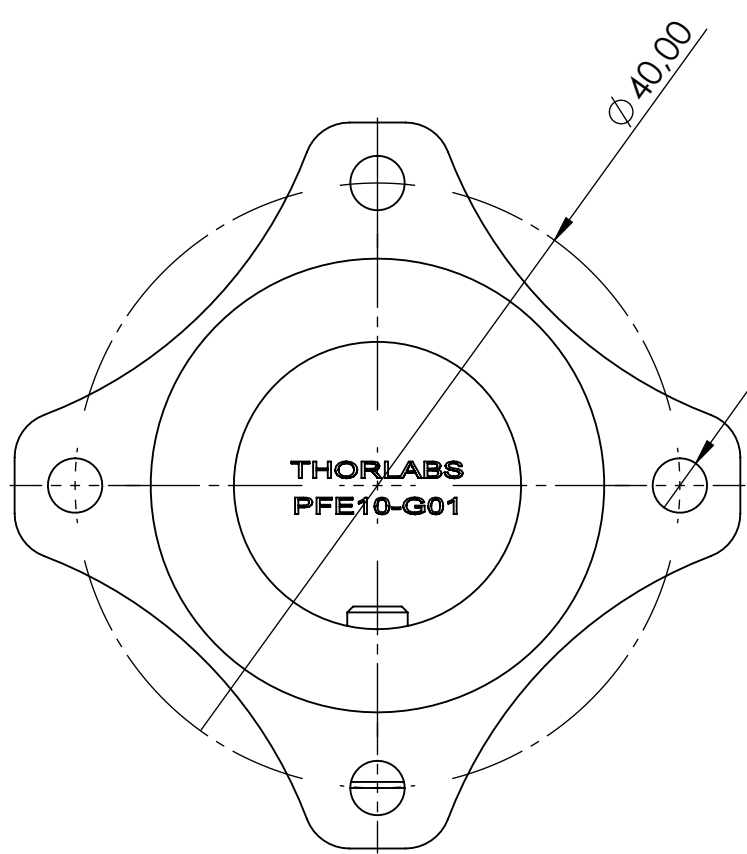
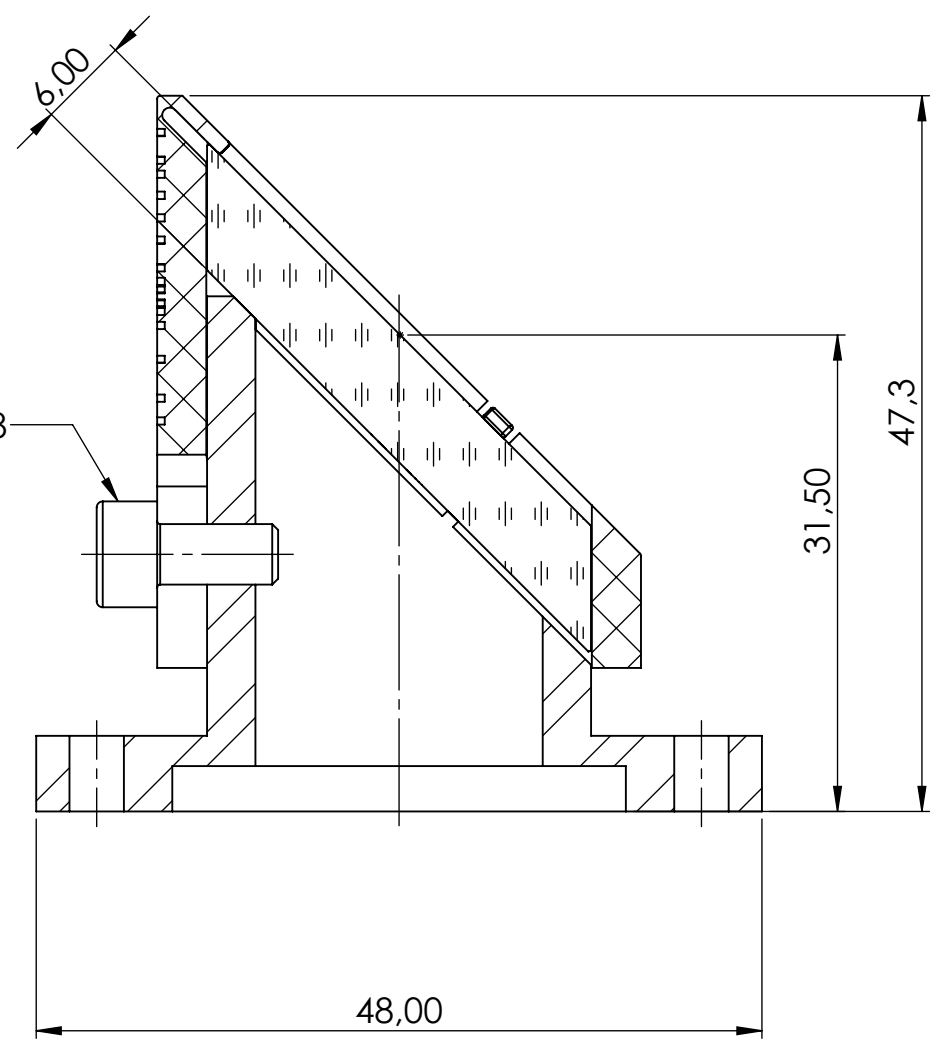


Schutzvermerk ISO 16016 beachten / Copyright reserved



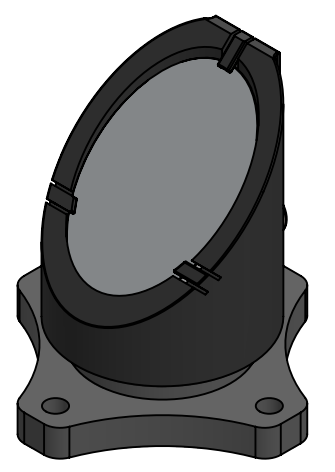
DIN EN ISO 4762-M4x8

SCHNITT A-A



4 x ϕ 3,60 for M3 cap head bolts

1:1



FOR INFORMATION ONLY
NOT FOR MANUFACTURING PURPOSES

-			-		-		Status: RELEASED			
Description of changes				Date	Name	Surface treatment:		Material:		
						Surface: ISO 1302 Ausg. 2002		-		
				General tol. for dimens. without spe. tolerance: EN ISO 14405						
Name		Date		Titel:		Info:				
designed : Schnarr		04.07.2021				1" mirror holder, tension free				
released : Hermann		18.08.2021								
				Drawing - No. :				Rev.	Weight (g):	Scale:
Gerhard-Gerdes-Straße 5 37079 Göttingen Phone: +49 551 384204-93				002-02-00				A		2:1
								Format:	Sheet 1 of 2	
								A3		