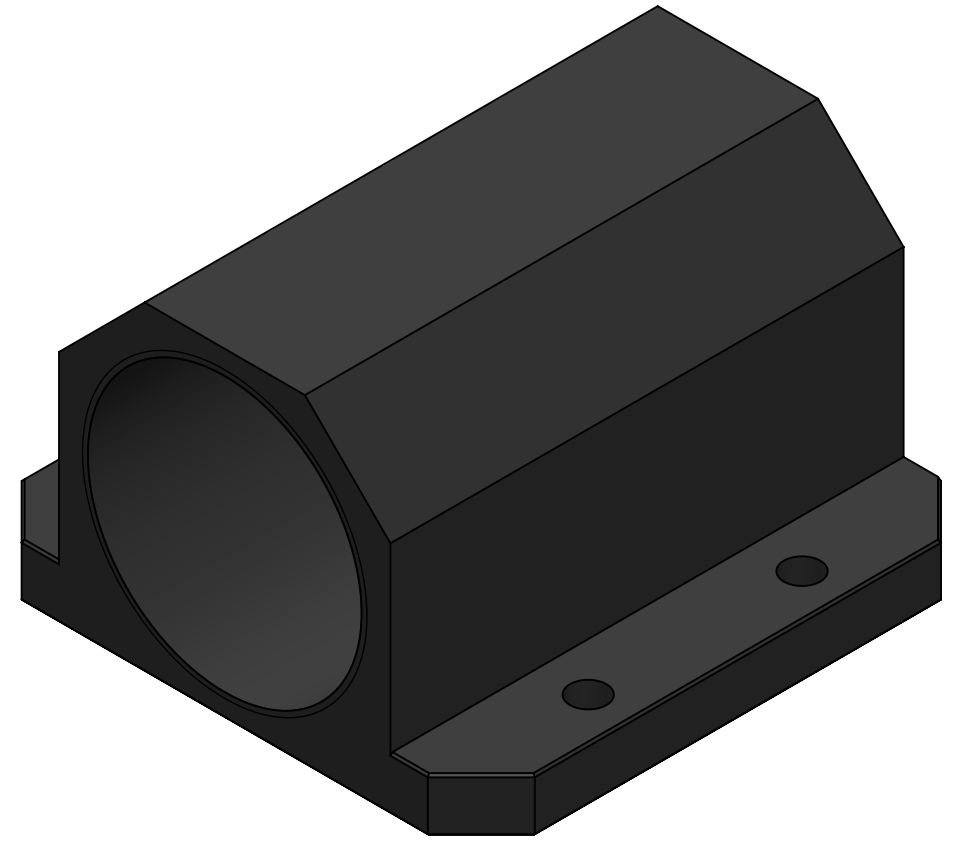
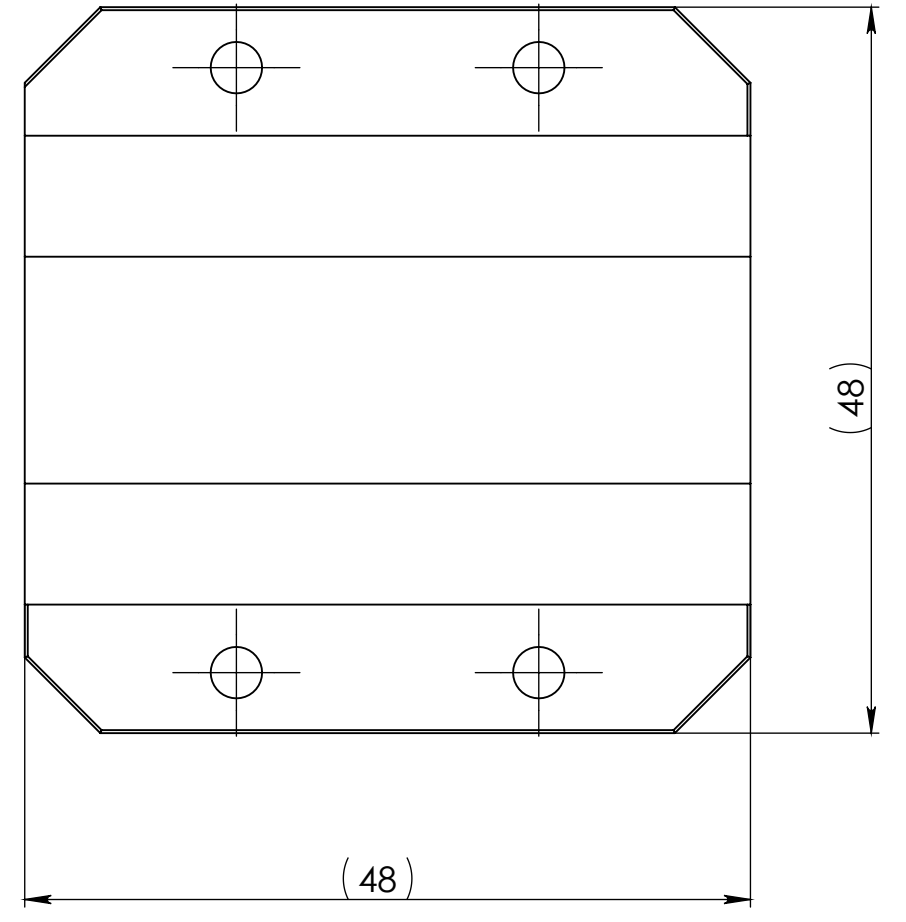
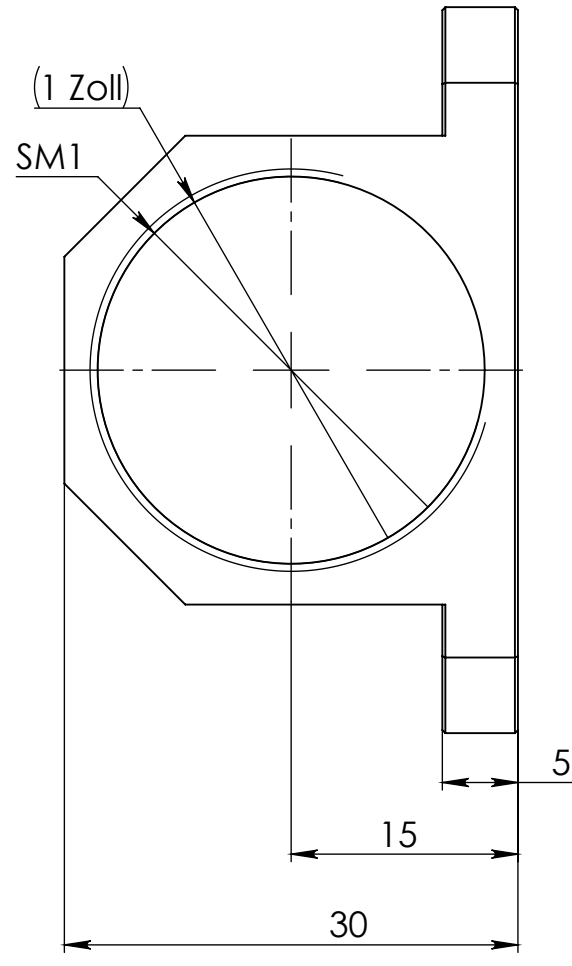
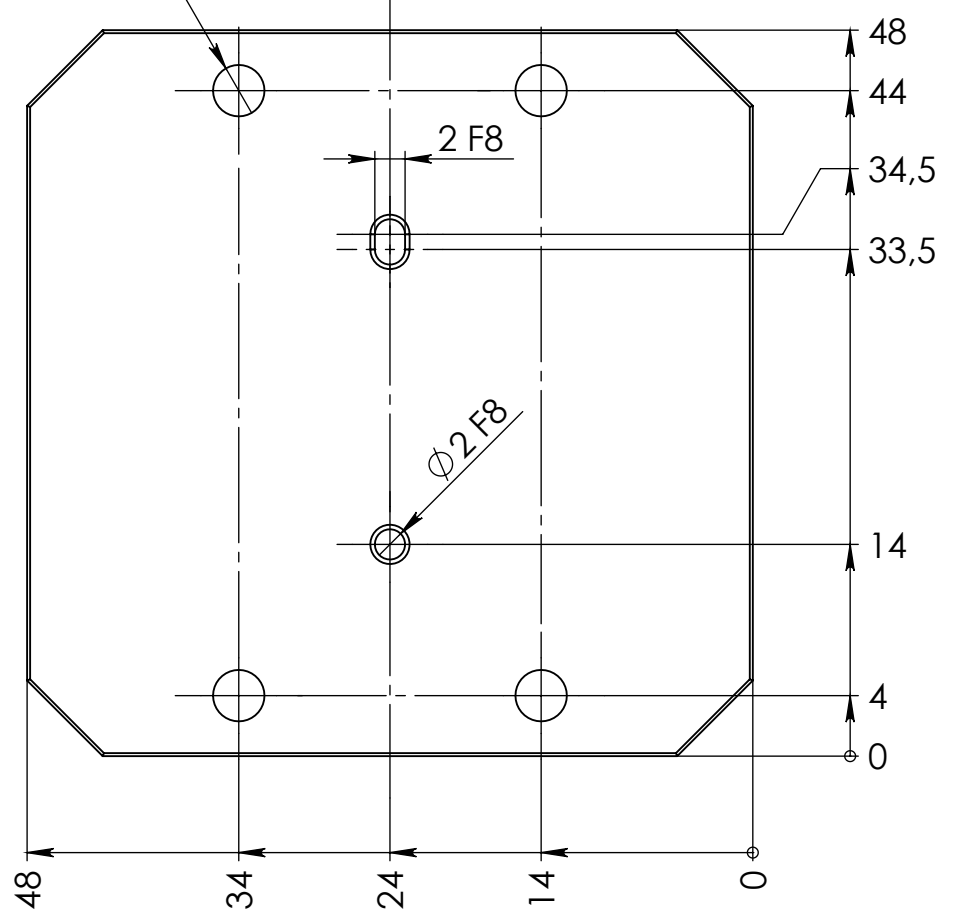


4 x Ø 3,4



FOR INFORMATION ONLY
NOT FOR MANUFACTURING PURPOSES

-			-			Status: RELEASED			
Description of changes				Date		Name		Material: 3.3547 (EN-AW 5083)	
						Surface: ISO 1302 Ausg. 2002		Surface treatment: anodized black	
				General tol. for dimens. without spe. tolerance: ISO 2768-mH		EN ISO 14405			
Name		Date		Titel:				Info:	
designed: Schnarr		20.09.2021		lens holder 1" (48mm)				-	
released: Hermann		31.10.2021							
				Drawing - No. :				Rev. A	
Gerhard-Gerdes-Straße 5 37079 Göttingen Phone: +49 551 384204-93				002-05-02				Weight (g): 54.457 g	
								Scale: 2:1	
								Format: A3	
								Sheet 2 of 2	