

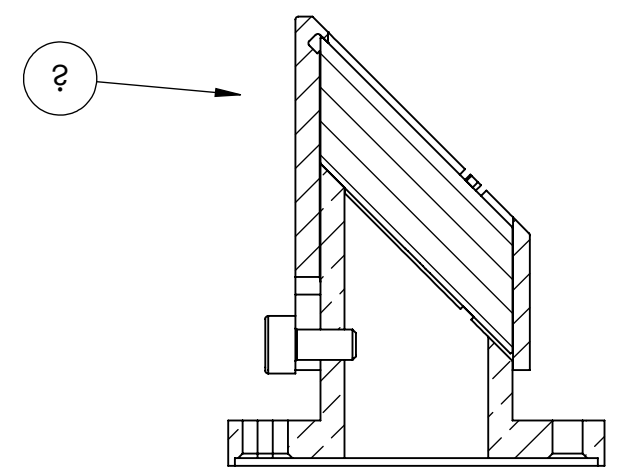
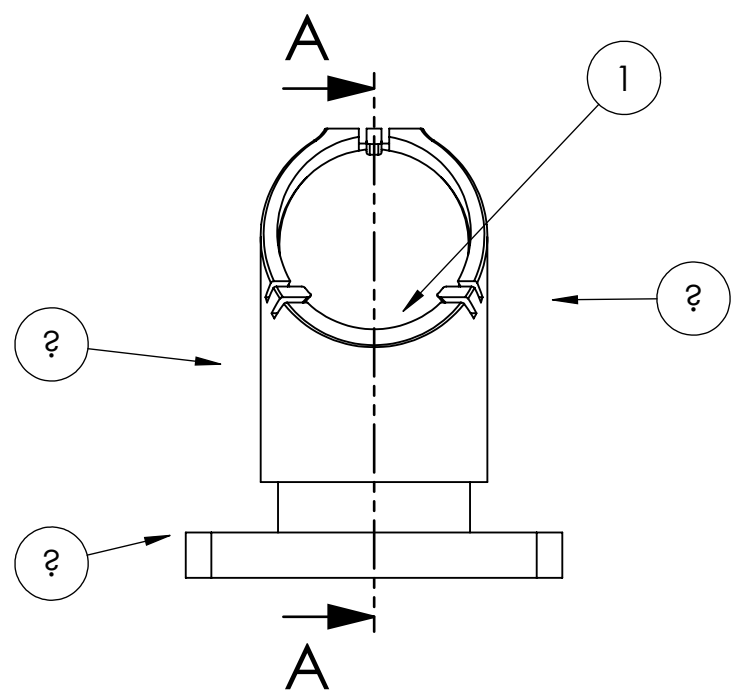
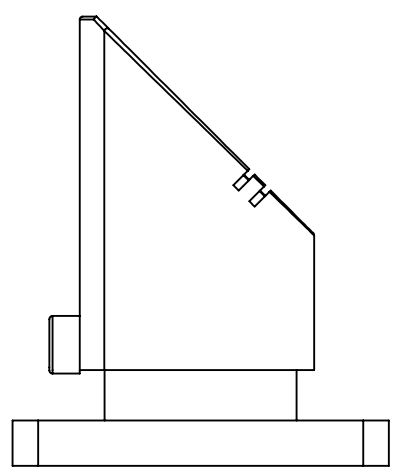
DETAIL Z
MABSTAB 10 : 1



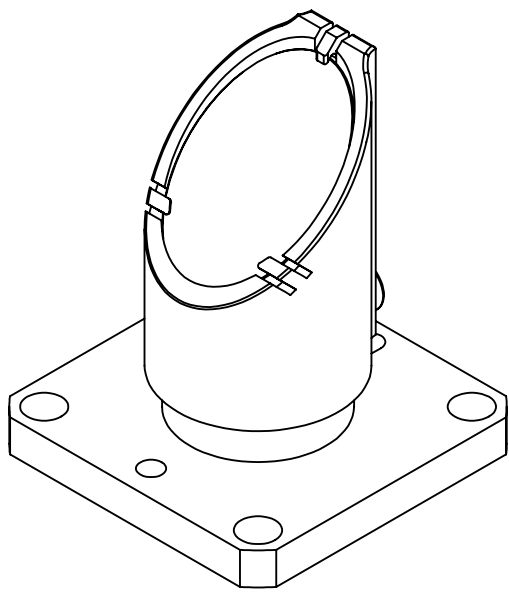
FOR INFORMATION ONLY
NOT FOR MANUFACTURING PURPOSES

-		-		-		Status: RELEASED		
Description of changes			Date	Name		Surface treatment:		
 ISO 13715				 Surface: ISO 1302 Ausg. 2002		Material:		
			General tol. for dimens. without spe. tolerance: EN ISO 14405					
Name		Date		Titel:		Info:		
designed : Hermann		03.09.2021		1/2" mirror holder, tension free				
released : Bühler		03.09.2021						
 Gerhard-Gerdes-Straße 5 37079 Göttingen Phone: +49 551 384204-93				Drawing - No. :		Rev.		
				002-01-00		A		
						Weight (g):		
						Scale: 2:1		
						Format: A3		
						Sheet 1 of 2		

A
B
C
D



SCHNITT A-A



POS-NR.	Revision	Dateiname	Benennung	Menge
1	A	002-01-01	mirror support 1/2"	1
2	A	002-01-02	mirror holder	1
3		DIN 912 M2 x 4 --- 4N		1
4		BBE05-E02	Elliptical mirror 1/2"	1

-		-		-		Status: RELEASED		
Description of changes			Date	Name		Surface treatment:		
					Surface: ISO 1302 Ausg. 2002		Material:	
			General tol. for dimens. without spe. tolerance: EN ISO 14405					
Name		Date		Titel:		Info:		
designed : Hermann		03.09.2021		1/2" mirror holder, tension free				
released : Bühler		03.09.2021						
 Gerhard-Gerdes-Straße 5 37079 Göttingen Phone: +49 551 384204-93				Drawing - No. : 002-01-00		Rev. A	Weight (g): 2:1	
						Format: A3	Sheet 2 of 2	