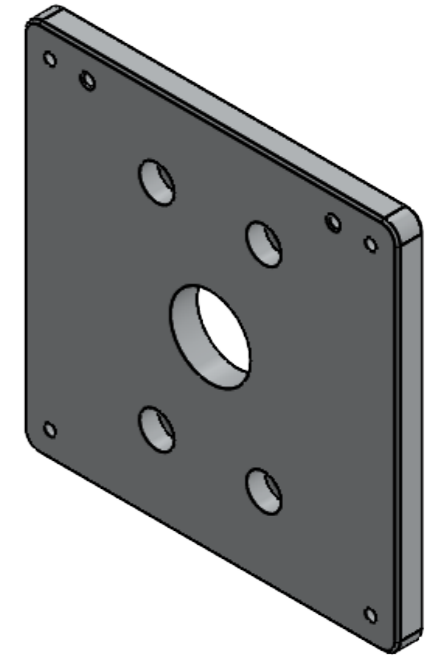
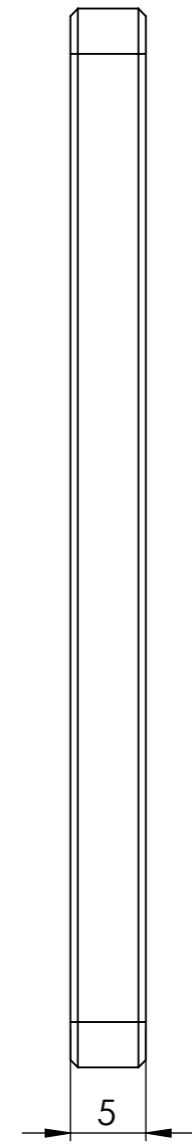
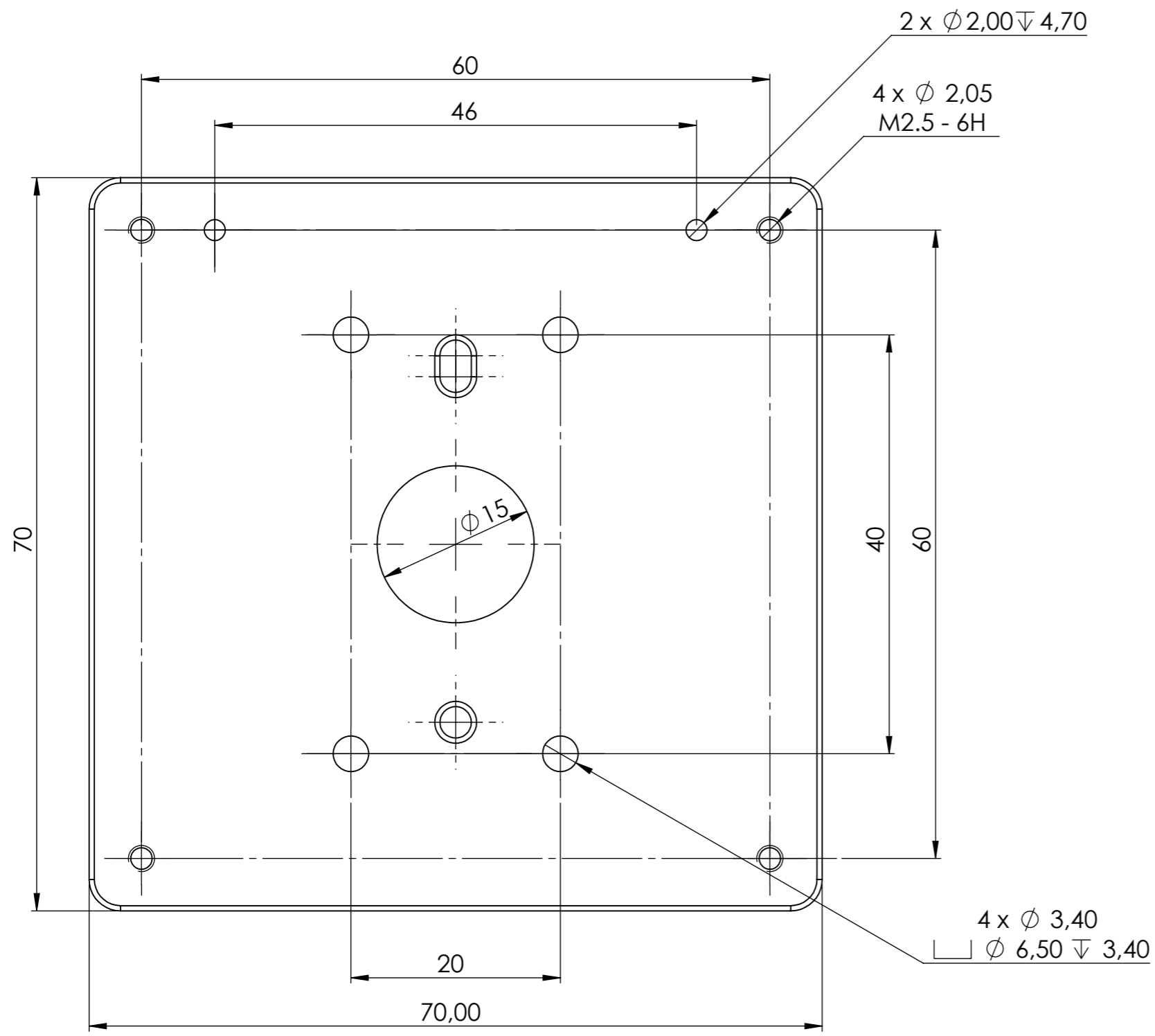


Schutzvermerk ISO 16016 beachten / Copyright reserved



| | | | | | |
|--|--|-------------------------------------|-------------------------------|-----------------------------------|--|
| 2H7 von 50 auf 46 | | 09.05.2023 | Schnarr | Status: | |
| Description of changes | | Date | Name | Material: 3.3547 (EN-AW 5083) | |
| ISO 13715 | | Surface: ISO 1302 Ausg. 2002 | | Surface treatment: anodized black | |
| General tol. for dimens. without spe. tolerance: EN ISO 14405 | | | | | |
| Name | | Date | Titel: | | Info: |
| designed : ADMIN | | 17.05.2022 | adapter plate; Stage-to-Stage | | |
| released : Hermann | | 17.05.2023 | | | |
| Gerhard-Gerdes-Straße 5 37079 Göttingen Phone: +49 551 384204-93 | | | Drawing - No. : 009-46-002 | | Rev. B Weight (g): 60.723 Format: A3 |
| | | | | | Scale: 2:1 Sheet 2 of 2 |