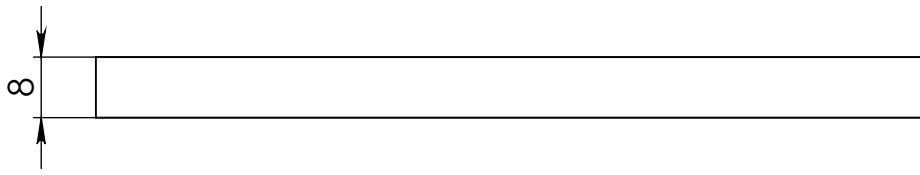
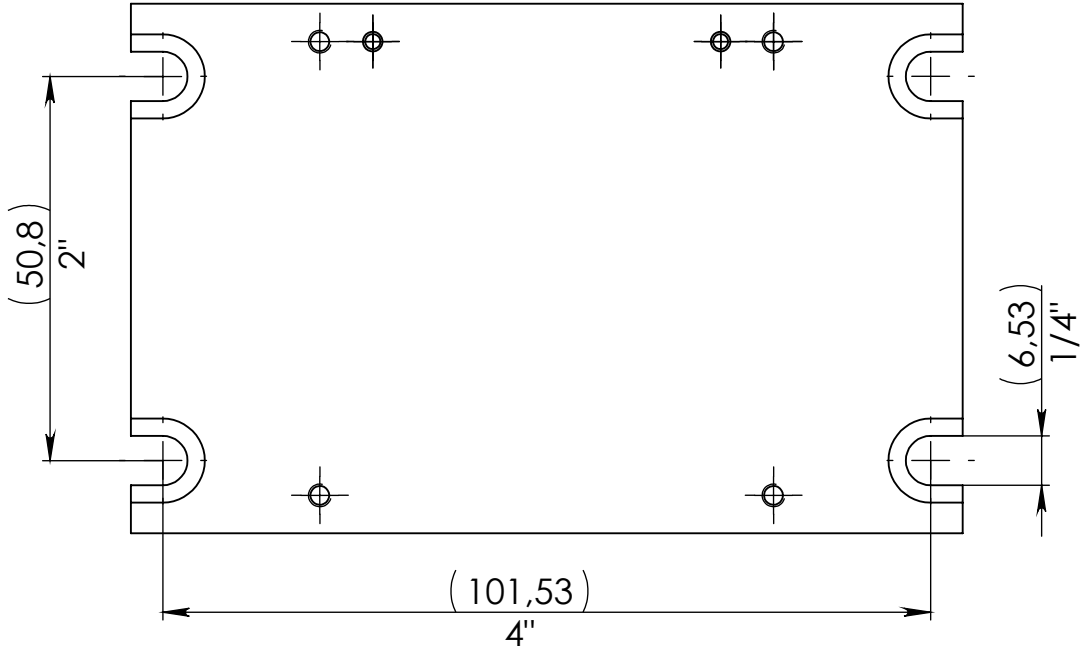


A

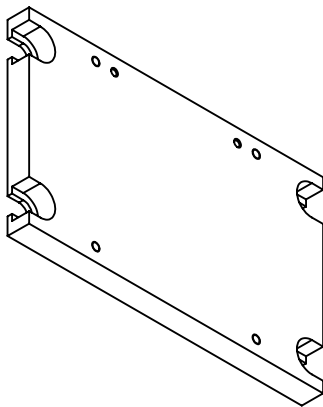


B



C

D



Schutzvermerk ISO 16016 beachten / Copyright reserved

Bitte prüfen		04.11.2022	Schnarr	Status		
Description of changes		Date	Name			
 ISO 13715		 Surface: ISO 1302 Ausg. 2002		Surface treatment: anodized black	Material: 3.3547 (EN-AW 5083)	
		General tol. for dimens. without spe. tolerance: ISO 2768-mH EN ISO 14405		Alternativ -		
Name		Date	Titel:		Info	
designed : Hillemann		31.05.2022	base plate; X-Stage stand alone		-	
released : ADMIN		09.11.2022				
 Gerhard-Gerdes-Straße 5 37079 Göttingen Phone: +49 551 384204-93		Drawing - No. :		Rev.	Weight (g):	Scale:
		009-48-001		B	156.067 g	1:1
				Format	Sheet 2	
				A4	of 2	