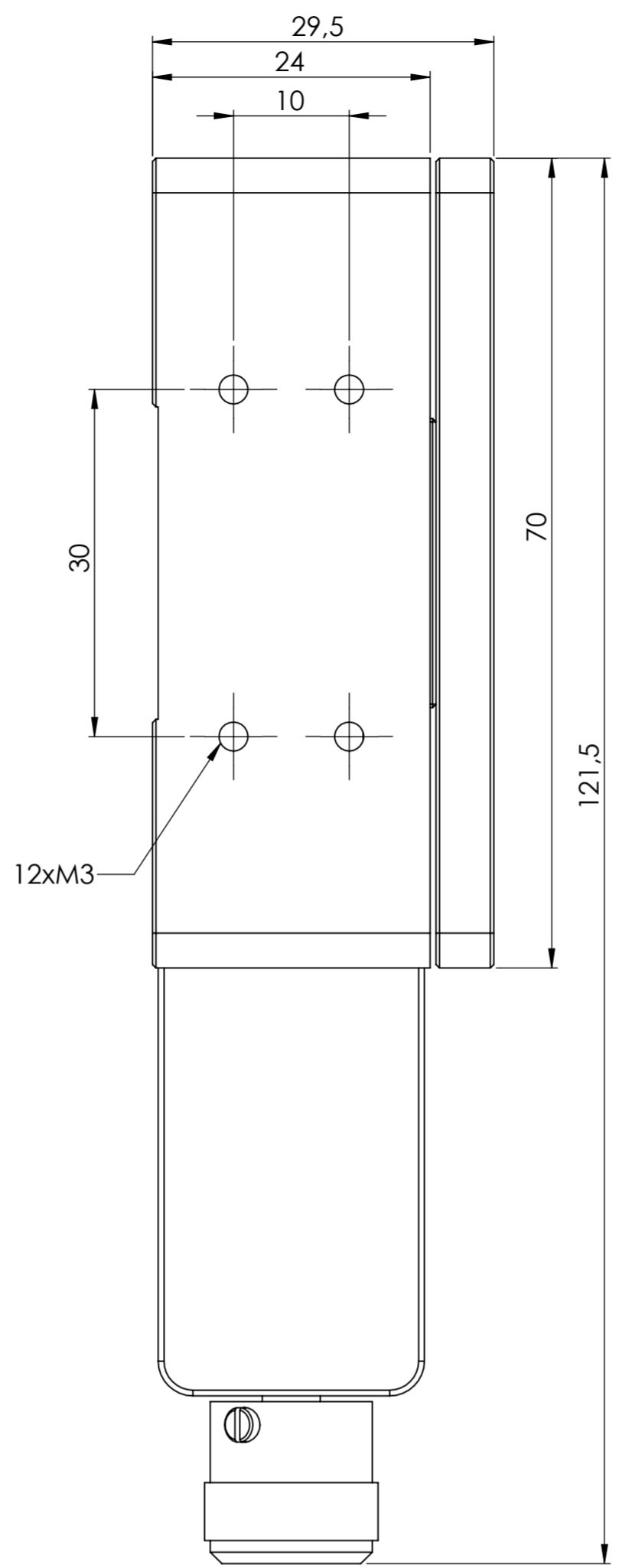
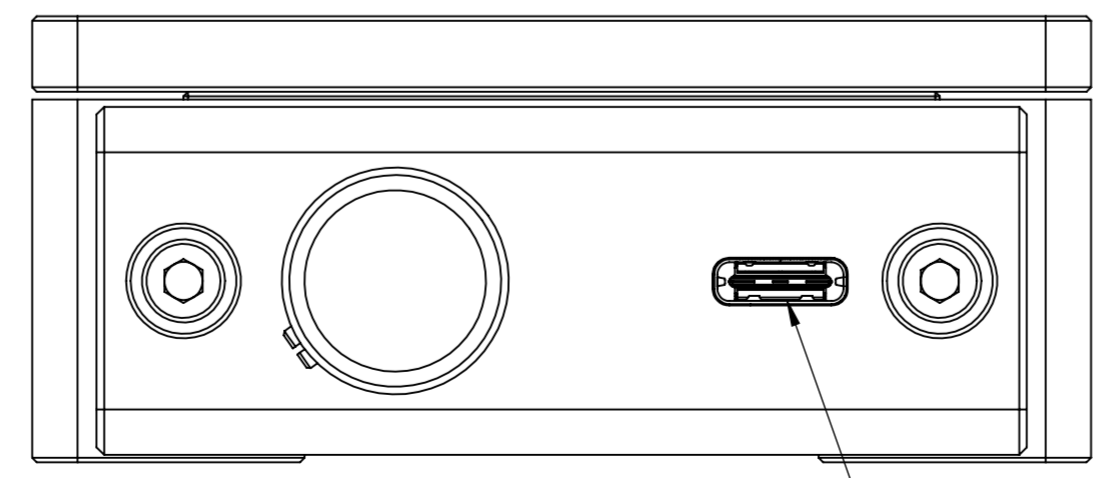
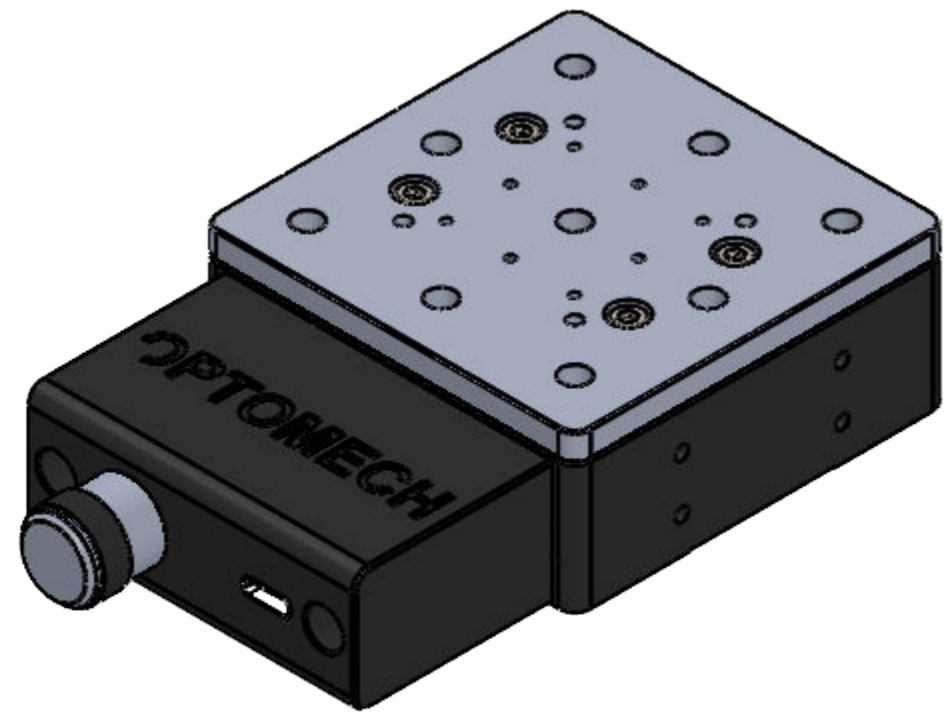
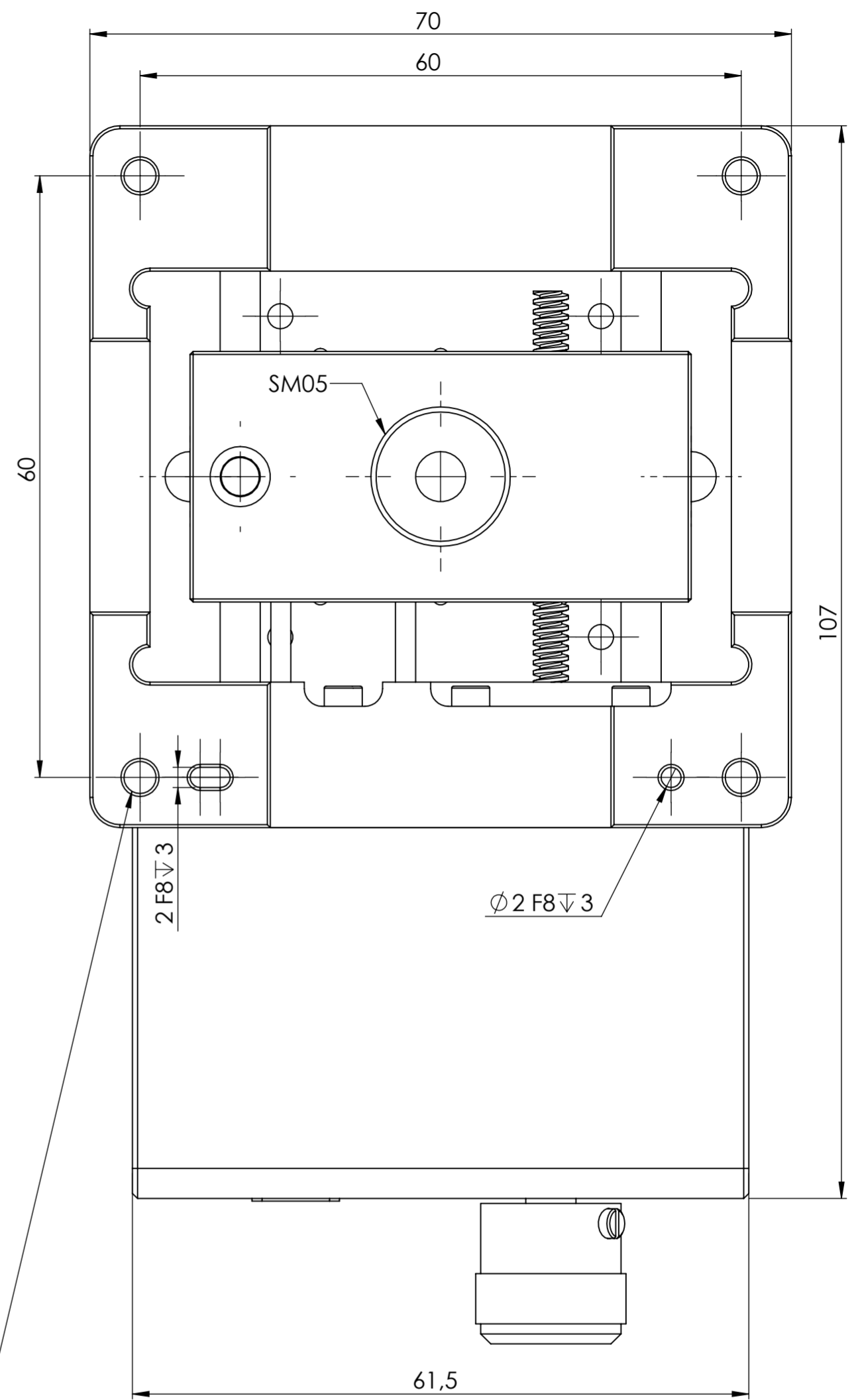


manual operation knob



hole for M2,5 bolts to fix the stage



USB-C Port

Description of changes		Date	Name	Status	RELEASED
+0,20 +0,05	-0,20 -0,05			Surface treatment:	Material: -
ISO 13715		General tol. for dimens. without spe. tolerance: ISO 2768-mH		-	
Name:	Date:	Title:		Bemerkung	
designed: Schnarr	13.09.2023	X STAGE EDMUND PLATE METRIC			
released: Hermann	13.09.2023	Drawing - No.:		Rev.	
		009-22-000		A	
 Gerhard-Gerdes-Straße 5 37079 Göttingen Phone: +49 551 384204-93		Weight (g): 319.446 g		Scale: 2:1	
		Format: A2		Sheet 2 of 2	