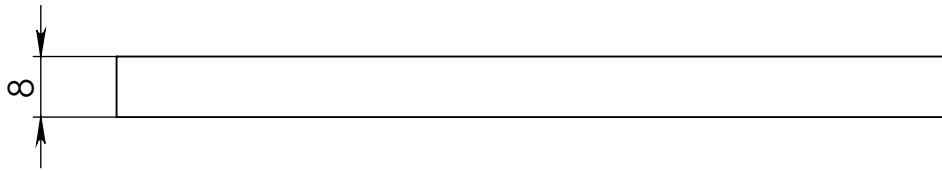
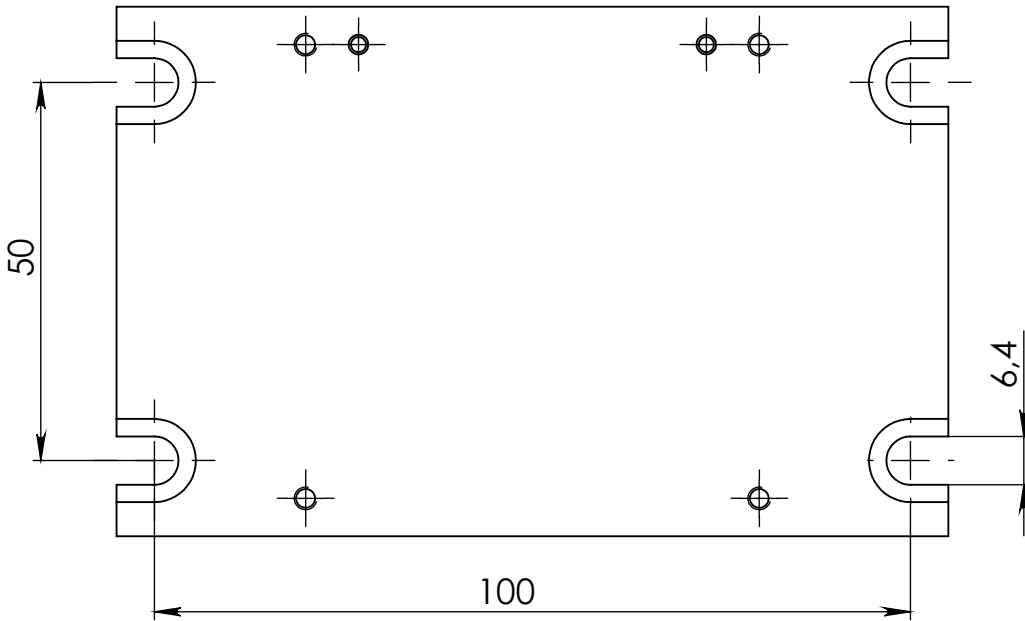


A

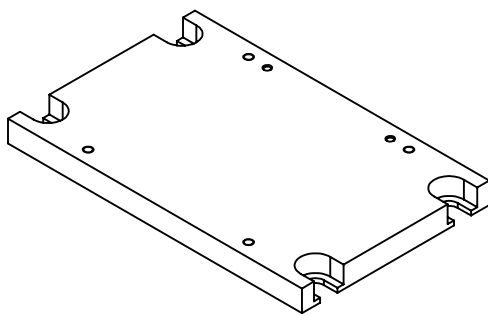


B



C

D



Schutzvermerk ISO 16016 beachten / Copyright reserved

Langloch korrigiert		11.01.2023	Schnarr	Status RELEASED	
Description of changes		Date	Name		
 ISO 13715		 Surface: ISO 1302 Ausg. 2002		Surface treatment: 18697.48	Material: 3.3547 (EN-AW 5083)
		General tol. for dimens. without spe. tolerance: ISO 2768-mH		Alternativ -	
Name	Date	Titel:		Info	
designed : Hillemann	13.05.2022	base plate; X-Stage stand alone		-	
released : Hermann	11.01.2023				
 Gerhard-Gerdes-Straße 5 37079 Göttingen Phone: +49 551 384204-93		Drawing - No. : 009-46-001		Rev. B	Weight (g): 155.503 g
				Format A4	Scale: 1:1 Sheet 2 of 2