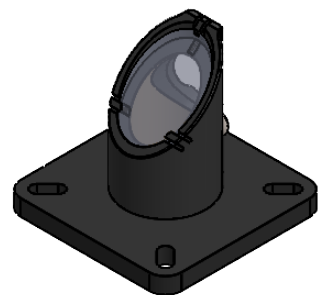
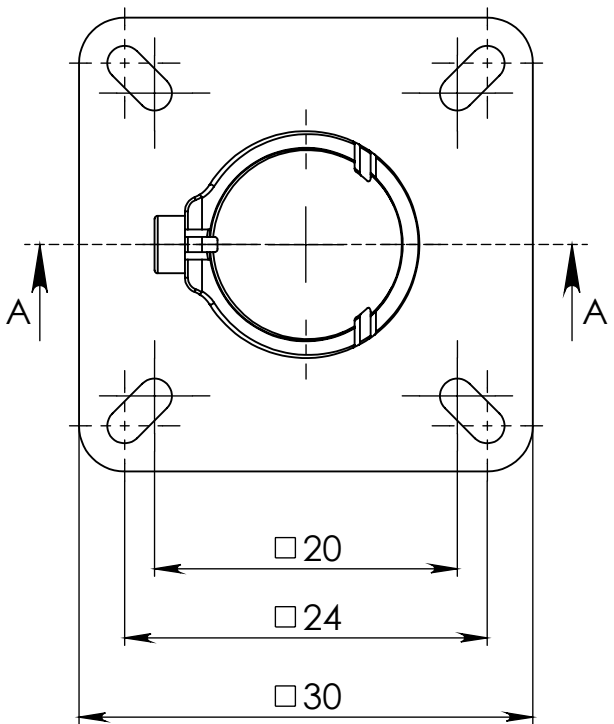
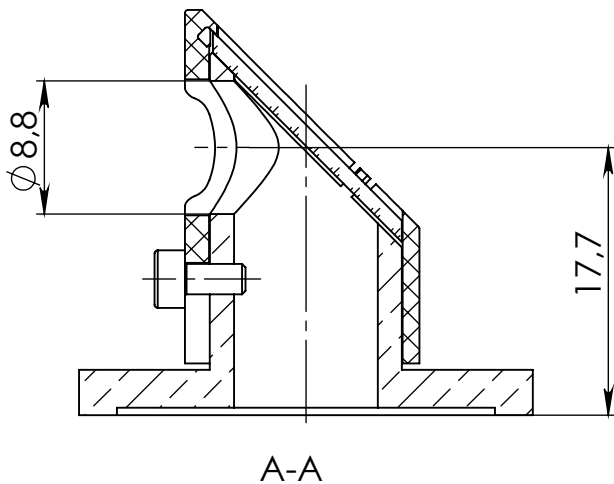


A

B

C

D



Schutzvermerk ISO 16016 beachten / Copyright reserved

Langloch		08.10.2023	ADMIN	Status	
Description of changes		Date	Name	Surface treatment:	
			Surface: ISO 1302 Ausg. 2002	Material: -	
		General tol. for dimens. without spe. tolerance: ISO 2768-mH		Alternativ -	
		Toleration DIN 7167			
Name	Date	Titel:		Info	
designed : Hillemann	17.06.2022	12,5 mm beamsplitter, tension free			
released : ADMIN	08.10.2023				
 Gerhard-Gerdes-Straße 5 37079 Göttingen Phone: +49 551 384204-93		Drawing - No. : <b>002-15-00</b>		Rev. B	Weight (g): 8,470
				Format A4	Scale: 2:1 Sheet 2 of 2