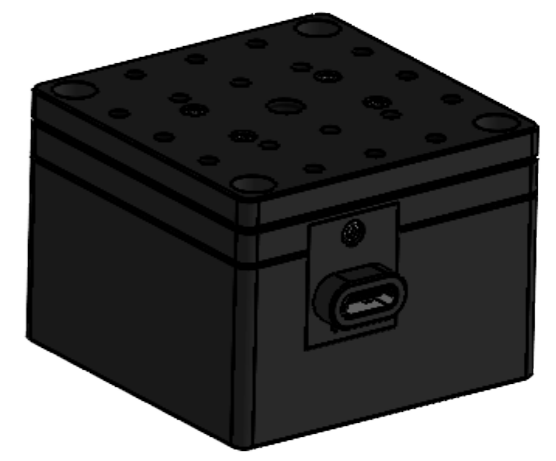
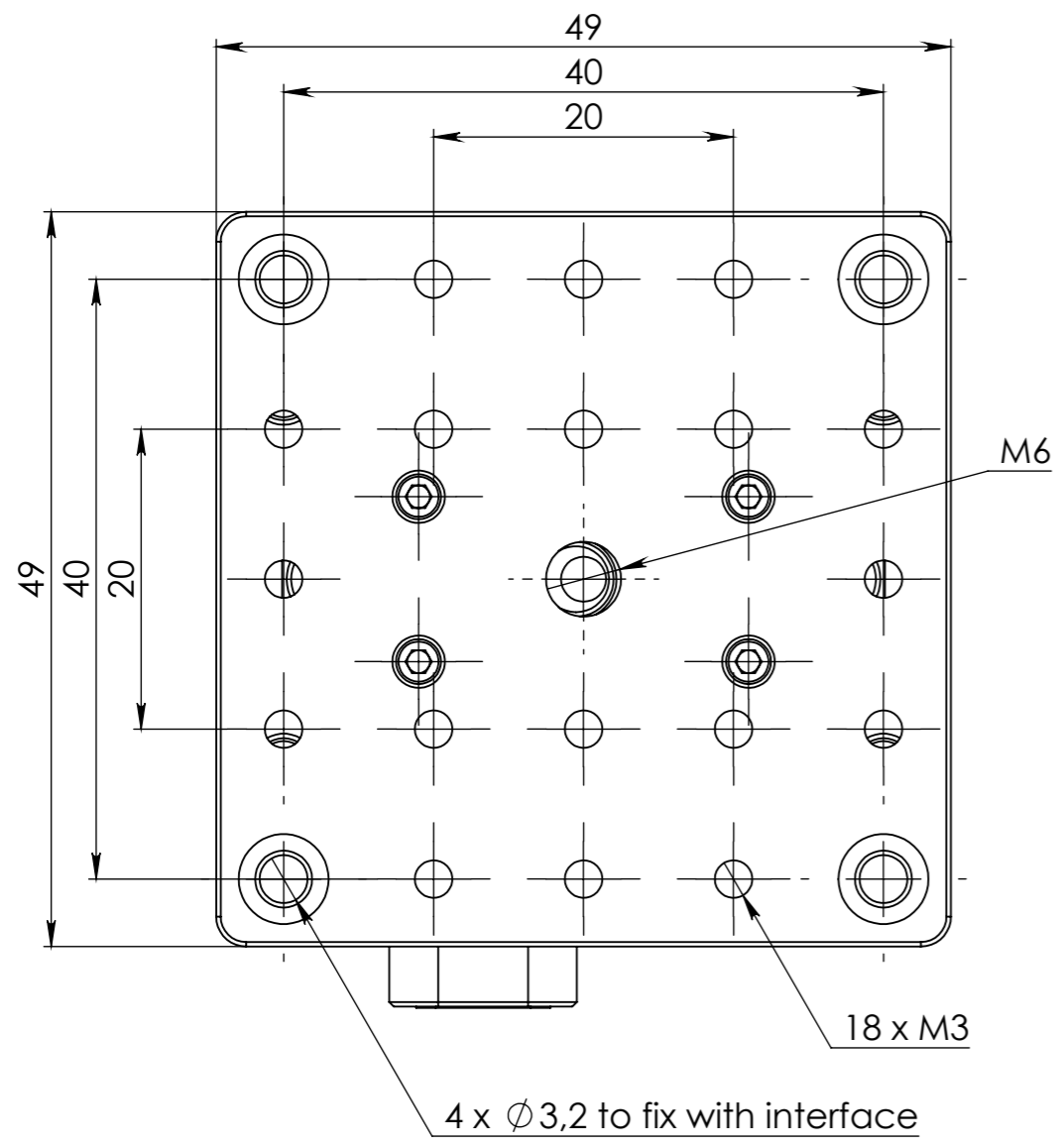
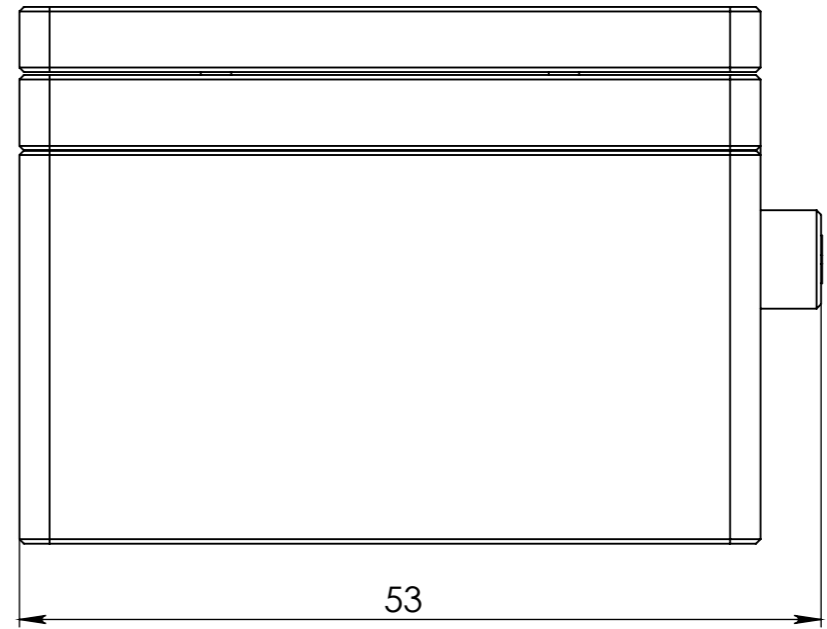
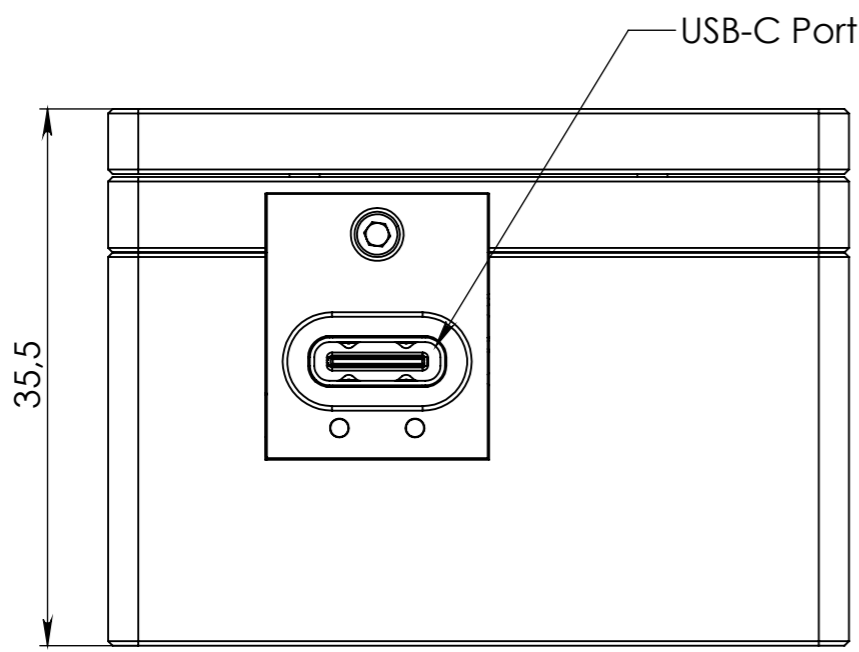


Schutzvermerk ISO 16016 beachten / Copyright reserved



FOR INFORMATION ONLY
NOT FOR MANUFACTURING PURPOSES

-		-		Status: RELEASED	
Description of changes		Date	Name	Surface treatment: -	
			Surface: ISO 1302 Ausg. 2002	Material: -	
		General tol. for dimens. without spe. tolerance: ISO 2768-mH		-	
				-	
Name	Date	Titel:		Info:	
designed : Schnarr	12.10.2023	Precision Stage Opto Plate			
released : Hermann	16.10.2023				
		Drawing - No. :		Rev.	Weight (g):
		006-50-00		A	136.829
				Format:	Scale:
				A3	2:1
				Sheet 2 of 2	
 Gerhard-Gerdes-Straße 5 37079 Göttingen Phone: +49 551 384204-93					