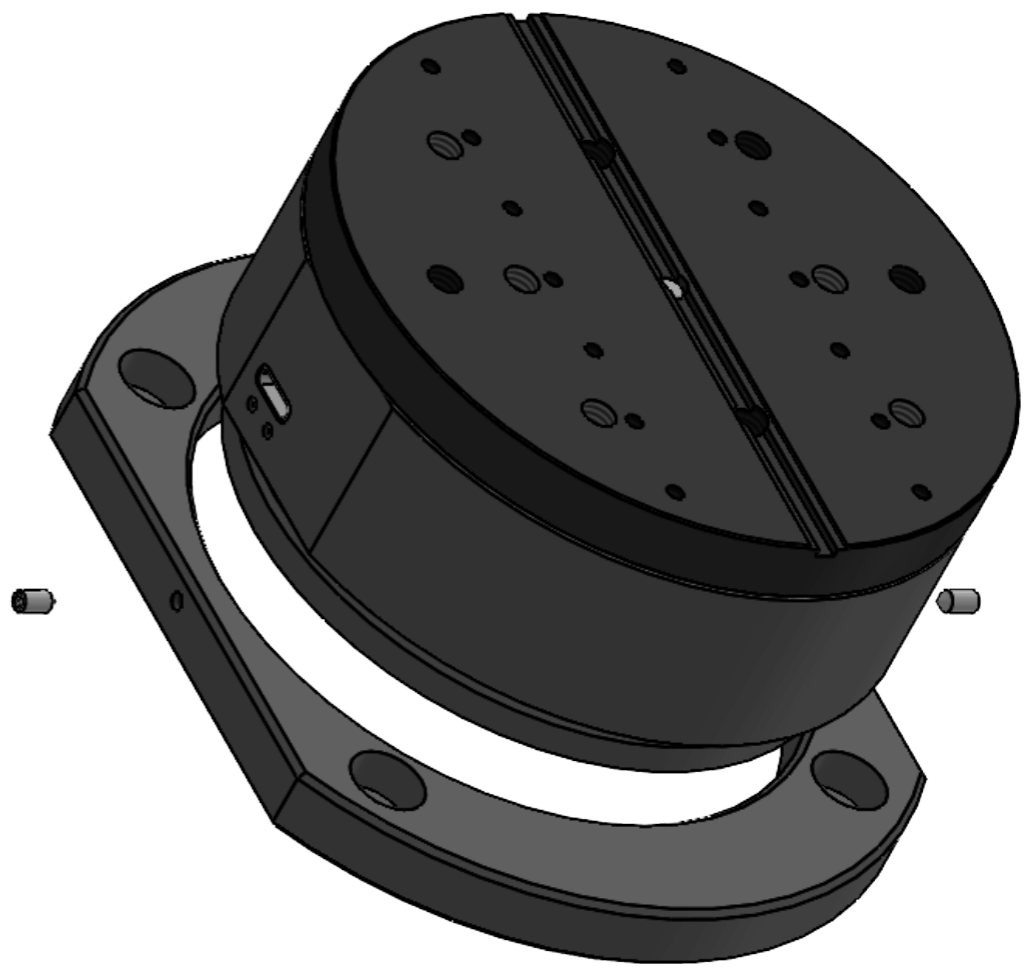
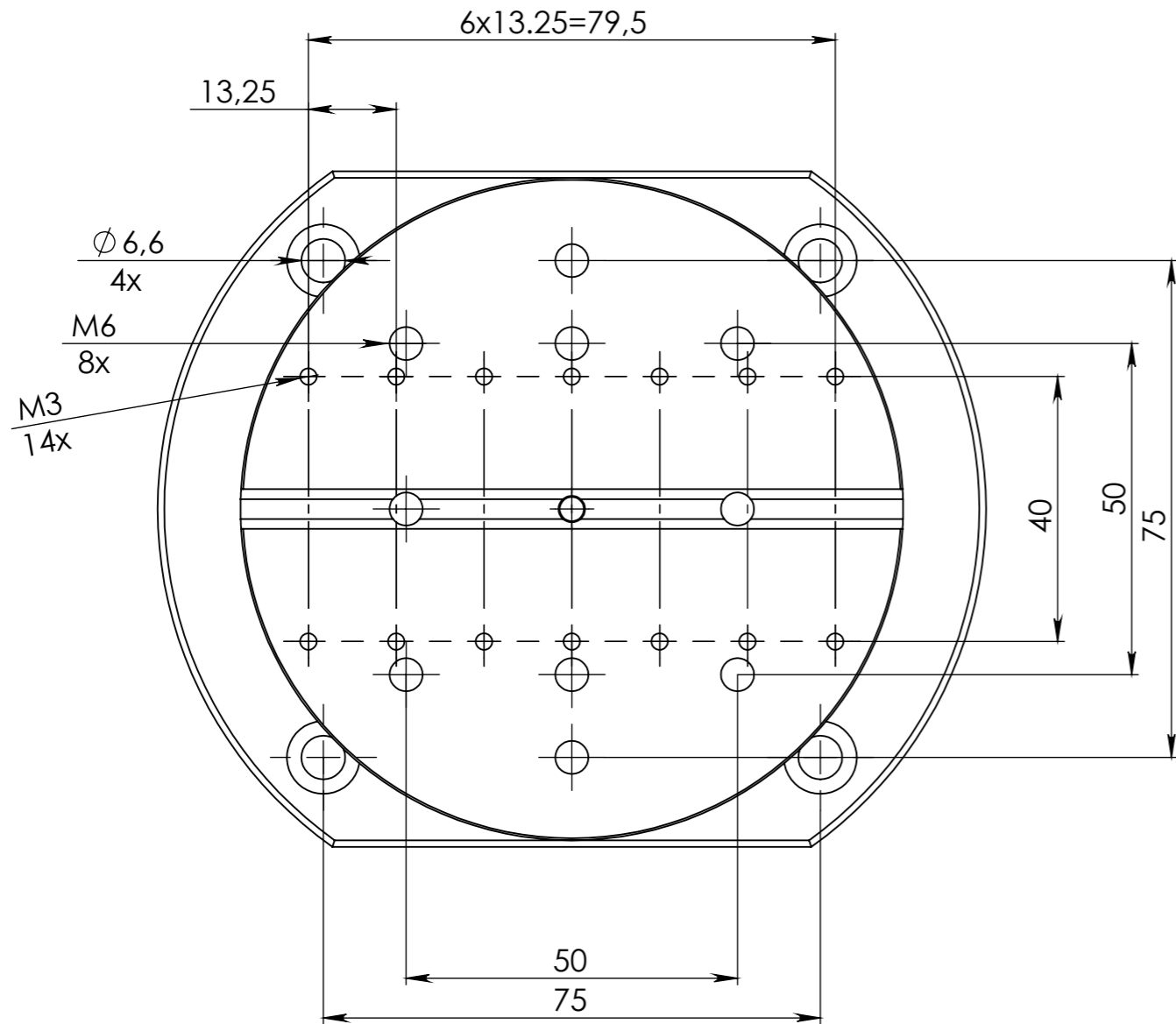


Z (5:1)



-		-		Status: <b>RELEASED</b>								
Description of changes		Date	Name	Surface treatment:								
 ISO 13715		 General tol. for dimens. without spe. tolerance: EN ISO 14405	Surface: ISO 1302 Ausg. 2002	Material:								
<table border="1"> <thead> <tr> <th>Name</th> <th>Date</th> <th>Titel:</th> </tr> </thead> <tbody> <tr> <td>designed: ADMIN</td> <td>27.12.2023</td> <td rowspan="2">100mm rotation stage Thorlabs mm</td> </tr> <tr> <td>released: ADMIN</td> <td></td> </tr> </tbody> </table>		Name	Date	Titel:	designed: ADMIN	27.12.2023	100mm rotation stage Thorlabs mm	released: ADMIN		Info:		Ohne -getriebe
Name	Date	Titel:										
designed: ADMIN	27.12.2023	100mm rotation stage Thorlabs mm										
released: ADMIN												
 Gerhard-Gerdes-Straße 5 37079 Göttingen Phone: +49 551 384204-93		Drawing - No.:		Rev. A	Weight (g):							
		010-36-00			Scale: 1:1							
				Format: A3	Sheet 2 of 2							