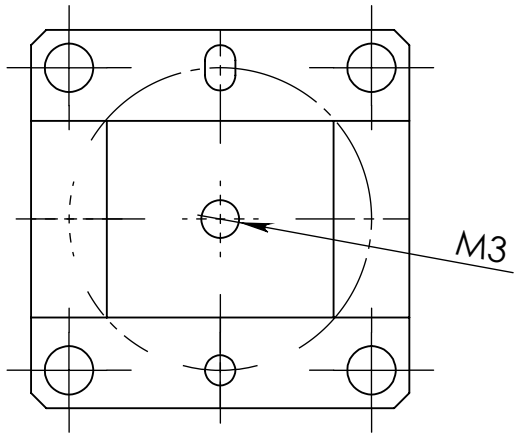
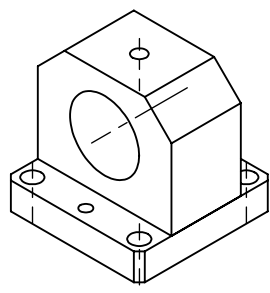
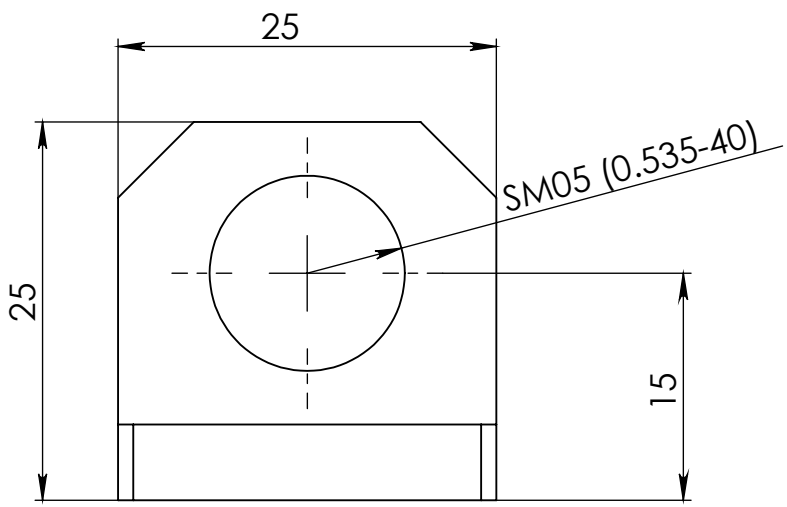
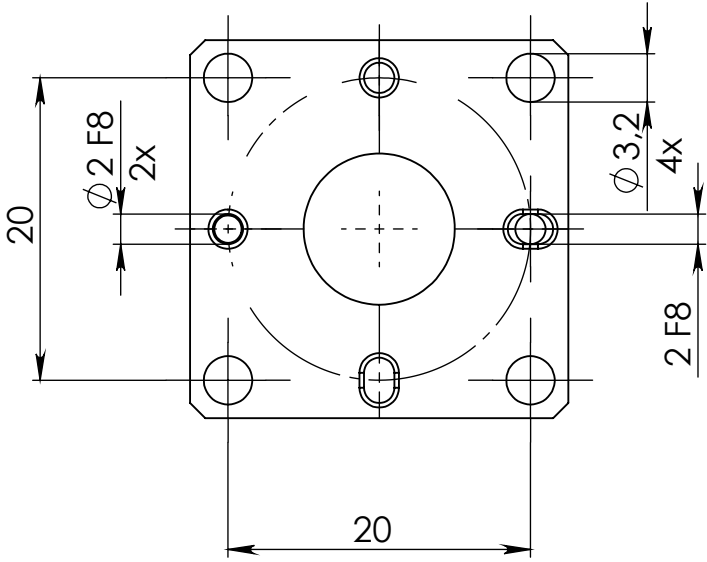


A

B

C

D



Schutzvermerk ISO 16016 beachten / Copyright reserved

-		-		-		Status <b>RELEASED</b>	
Description of changes		Date		Name		Surface treatment:	
				Surface: ISO 1302 Ausg. 2002		Material: -	
		General tol. for dimens. without spe. tolerance: ISO 2768-mH		EN ISO 14405		Alternativ -	
Name		Date		Titel:		Info	
designed : ADMIN		21.04.2024		<b>Lens holder 0.5'</b>			
released : ADMIN		22.04.2024					
				Drawing - No. :		Rev.	
				<b>002-18-00</b>		A	
						Weight (g): 18.414	
						Scale: 2:1	
						Format A4	
						Sheet 2 of 2	

**OPTOMECH**  
 Gerhard-Gerdes-Straße 5  
 37079 Göttingen  
 Phone: +49 551 384204-93